

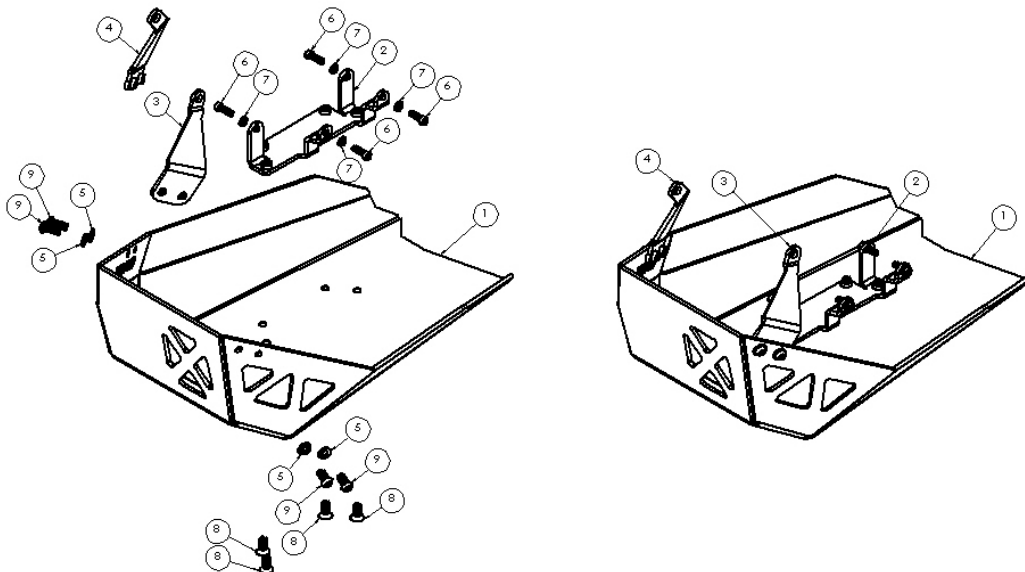


Parts Included:

- Skid Plate
- Rear Bracket
- Left Front Bracket
- Right Front Bracket

Hardware Included:

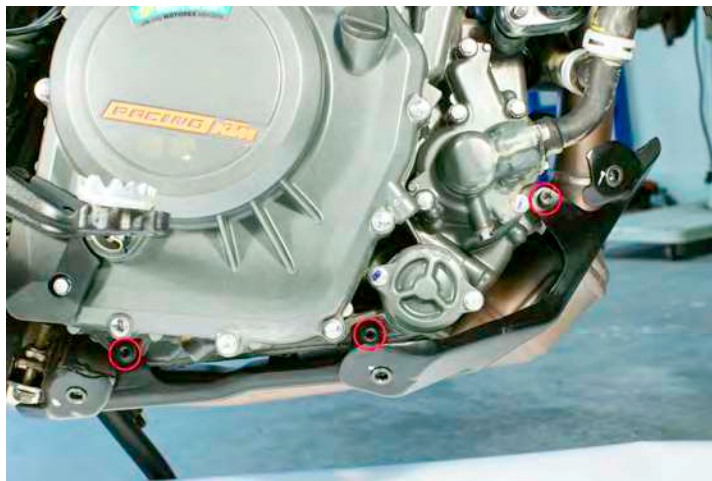
- 8mm Button Head Allen Socket Head (4)
- 6mm Allen Head Stainless Steel (4)
- 8mm x 20mm Torx Flat Head SS Screw (4)
- 8mm Flat Washer Stainless Steel (4)
- 6mm Flat Washer Stainless Steel (4)



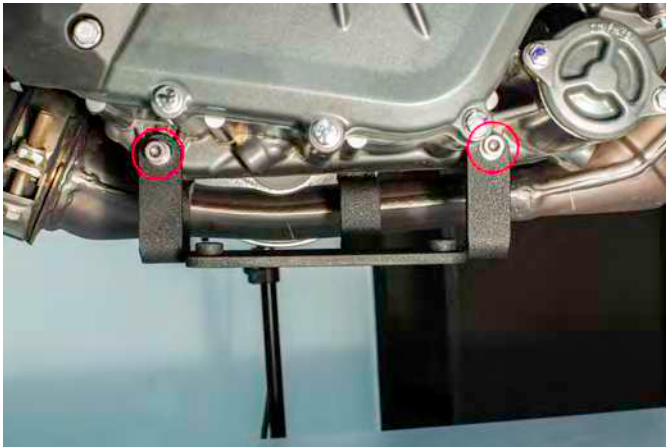
Remove the 4 bolts down the center of the skid plate using a 4mm allen key or wrench. Remove the 3 bolts on the right side and the forward most and the last bolt on the left side.



Remove the 6 bolts, three on each side, securing the skid plate bracket to the bottom of the bike.



Install the bottom skid plate bracket using the (4) 6mm Stainless Steel Allen Head bolts with the (4) 6mm Stainless Steel Flat Washers.



Remove the lower 10mm nut from the left and right side of the crash bar



Install the left and right brackets using the 10mm nut from the crash bar Leave the nuts finger tight for now.



Loosely install the skid plate to the rear bracket using the (4) 8mm X 20mm Torx Flat Head Screws.



Attach the skid plate to the left and right brackets using the (4) 8mm Button Head Allen Socket Head Screws and 8mm Stainless Steel Flat Washers



Tighten the 4 8mm screws on the bottom of the skid plate. Tighten the 2 10mm nuts holding the bracket to the crash bar. Tighten the 4 8mm screws holding the skid plate to the left and right brackets.
